

# Outdoor Play Products

-  Innovation Driven
-  Artisanal Research
-  Overall Design
-  Ecosystem Integration
-  Expert Team



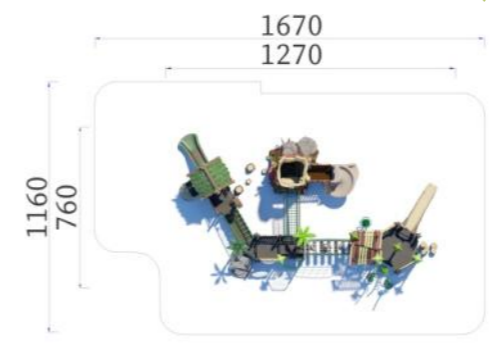
Protecting Our Universal Investment



<b>FY018-01</b>	
3+ Age Group	3-12
Capacity	40
Use Zone	1670×1160cm
Structure Size	1270×760×435cm

## Jungle Traverse Series

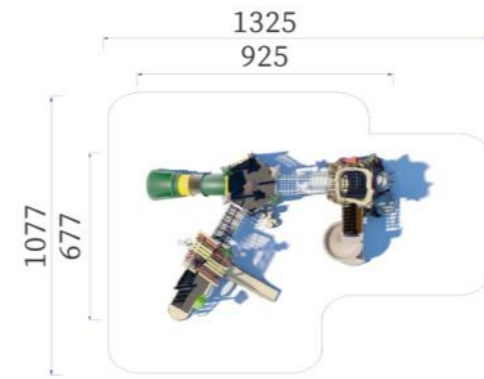
Children are free to shuttle in the combination slide, can climb holes, jump, hide and seek in the trees, feel a series of challenges and exercise perseverance.



- Company Profile
- Outdoor Play Products**
- Large Slide Products
- Disability Combos
- Slide
- Gym Training Products
- Rope Climbing Products
- Special Order
- HDPE Products
- Wood Products
- Swings
- Carousel
- Seesaw
- Spring Rider
- Park Musical Instruments
- Floor Mats
- Dog Playground Park
- Indoor Play Products**
- Park Fitness Devices
- Cultural Tourism Projects
- Toddler Indoor Furniture
- Sand and water games



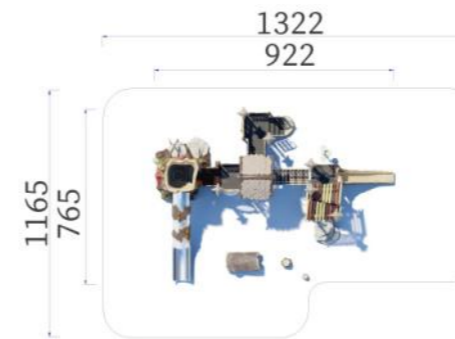
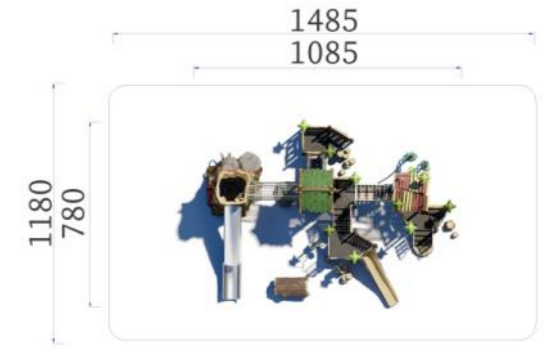
- FY019-01**
- 3+ Age Group 3-12
  - Capacity 30
  - Use Zone 1325×1077cm
  - Structure Size 925×677×435cm



- FY019-02**
- 3+ Age Group 3-12
  - Capacity 12
  - Use Zone 1273×845cm
  - Structure Size 873×445×435cm



- FY020-01**
- 3+ Age Group 3-12
  - Capacity 40
  - Use Zone 1485×1180cm
  - Structure Size 1085×780×515cm



- FY020-02**
- 3+ Age Group 3-12
  - Capacity 20
  - Use Zone 1322×1165cm
  - Structure Size 922×765×435cm

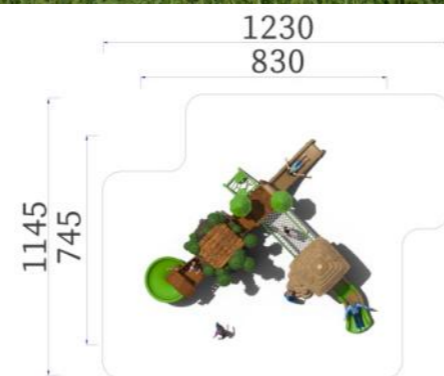
FY021-01

3+ Age Group 3-12

Capacity 16

Use Zone 1230x1145cm

Structure Size 830x745x430cm



## Islander Series

The island wonder series combination slide allows children to exercise themselves in the play and cultivate the spirit of fearlessness and adventure.

Company Profile

Outdoor Play Products

Large Slide Products

Disability Comboslide

Gym Training Products

Rope Climbing Products

Special Order

HDPE Products

Wood Products

Swings

Carousel

Seesaw

Spring Rider

Park Musical Instruments

Floor Mats

Dog Playground Park

Indoor Play Products

Park Fitness Devices

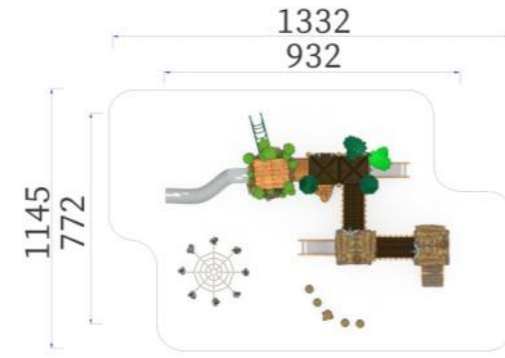
Cultural Tourism Projects

Toddler Indoor Furniture

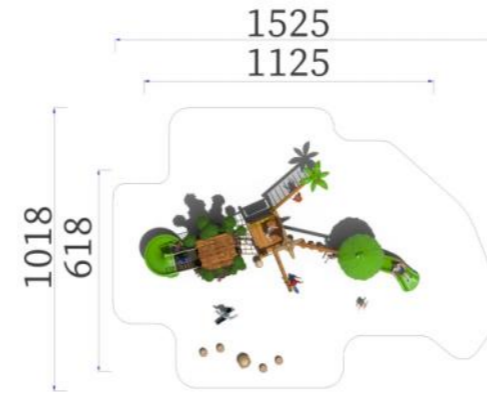
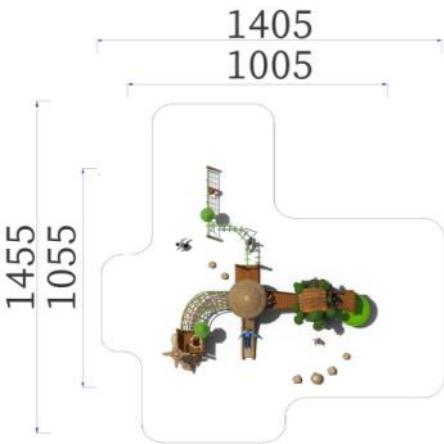
Sand and water games



<b>FY023-01</b>	
3+ Age Group	3-12
Capacity	24
Use Zone	1230×1145cm
Structure Size	932×772×450cm



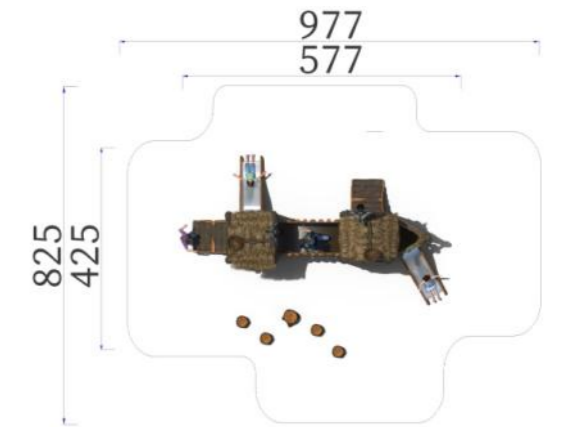
<b>FY023-02</b>	
3+ Age Group	3-12
Capacity	28
Use Zone	1405×1455cm
Structure Size	1005×1055×430cm



<b>FY024-01</b>	
3+ Age Group	3-12
Capacity	20
Use Zone	1525×1018cm
Structure Size	1125×618×430cm



<b>FY024-02</b>	
3+ Age Group	3-12
Capacity	12
Use Zone	977×825cm
Structure Size	577×425×433cm



FY025-01

3+ Age Group 3-12

Capacity 30

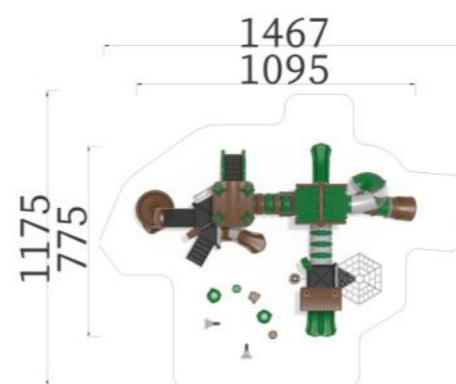
Use Zone 1495x1175cm

Structure Size 1095x775x520cm



## Dream Forest Series

Building a dream forest series of combination slides comply with the educational concept of returning to nature, so that children can enjoy the joy of playing and learning while experiencing the scenery of nature.



Company Profile

Outdoor Play Products

Large Slide Products

Disability Combo Slide

Gym Training Products

Rope Climbing Products

Special Order

HDPE Products

Wood Products

Swings

Carousel

Seesaw

Spring Rider

Park Musical Instruments

Floor Mats

Dog Playground Park

Indoor Play Products

Park Fitness Devices

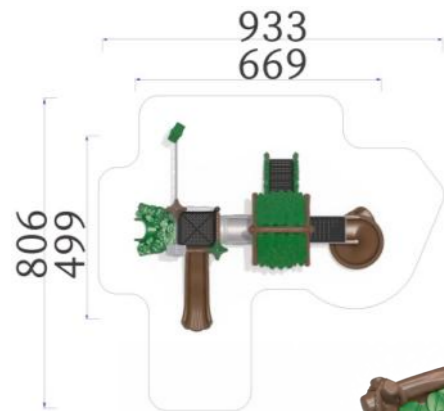
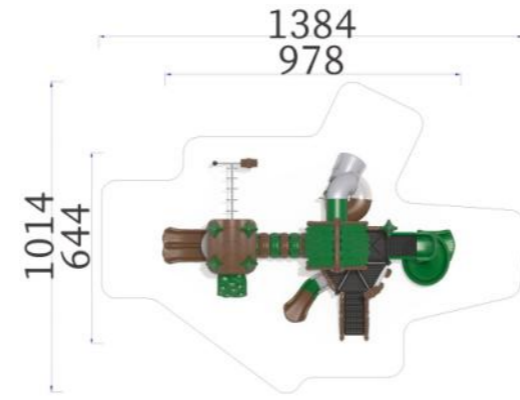
Cultural Tourism Projects

Toddler Indoor Furniture

Sand and water games



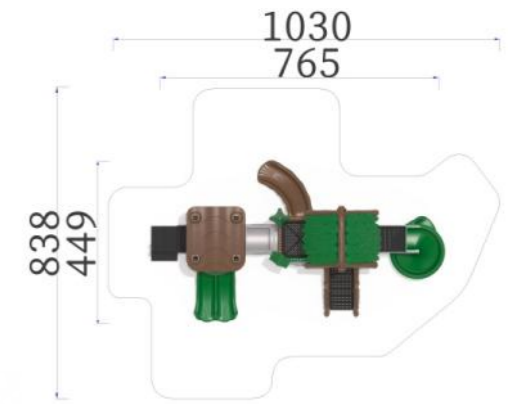
<b>FY027-01</b>	
3+ Age Group	3-12
Capacity	25
Use Zone	1378×1044cm
Structure Size	978×644×490cm



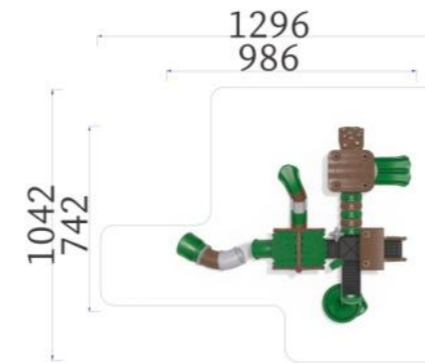
<b>FY027-02</b>	
3+ Age Group	3-12
Capacity	15
Use Zone	1069×899cm
Structure Size	669×499×400cm



<b>FY028-01</b>	
3+ Age Group	3-12
Capacity	20
Use Zone	1165×849cm
Structure Size	765×449×400cm



### Dream Forest Series



<b>FY028-02</b>	
3+ Age Group	3-12
Capacity	25
Use Zone	1386×1142cm
Structure Size	986×742×440cm



FY029-01

3+ Age Group 3-12

Capacity 45

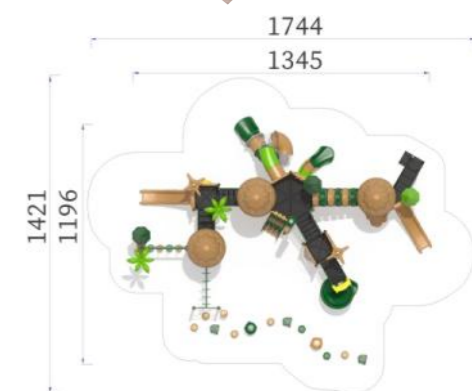
Use Zone 1745x1596cm

Structure Size 1345x1196x510cm

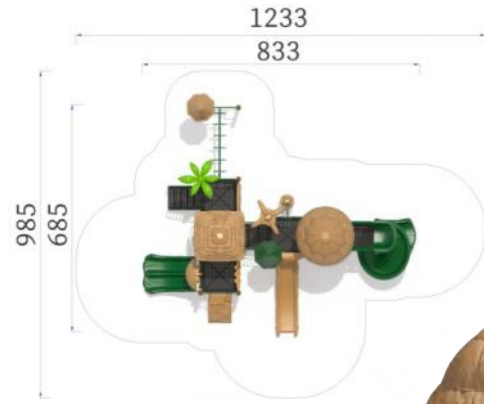


## Garden Straw Series

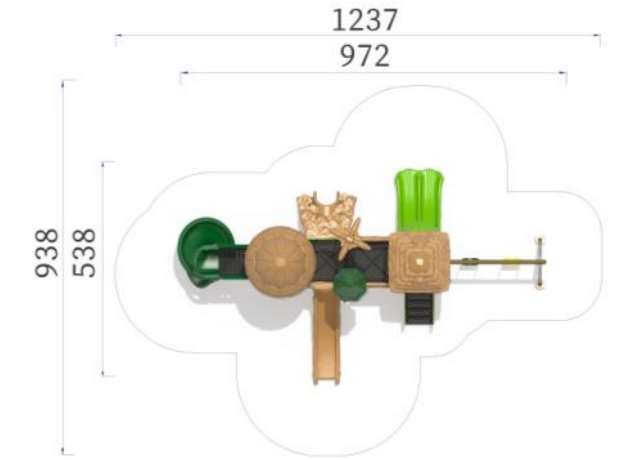
In the fresh nature is located a straw house, they are integrated in the lush woods look harmonious and simple, attracting the brave and adventurous children.







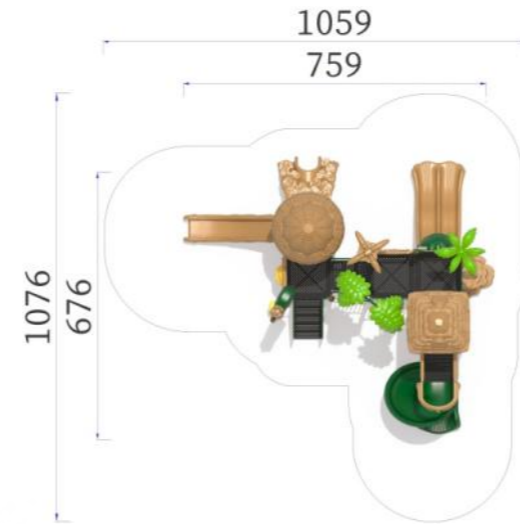
- FY032-01**
- 3+ Age Group 3-12
  - Capacity 20
  - Use Zone 1372×938cm
  - Structure Size 972×538×460cm



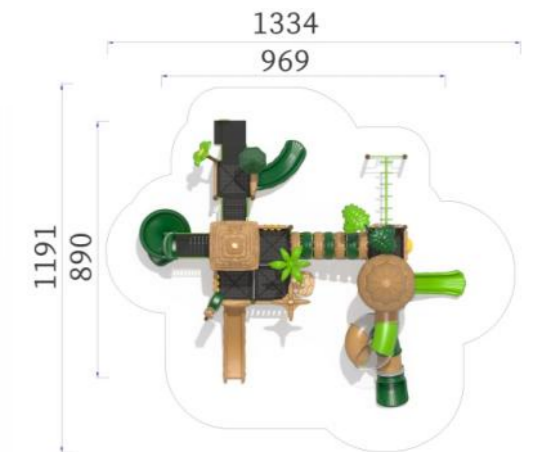
- FY031-01**
- 3+ Age Group 3-12
  - Capacity 25
  - Use Zone 1233×1085cm
  - Structure Size 833×685×460cm



- FY031-02**
- 3+ Age Group 3-12
  - Capacity 25
  - Use Zone 1159×1076cm
  - Structure Size 759×676×460cm

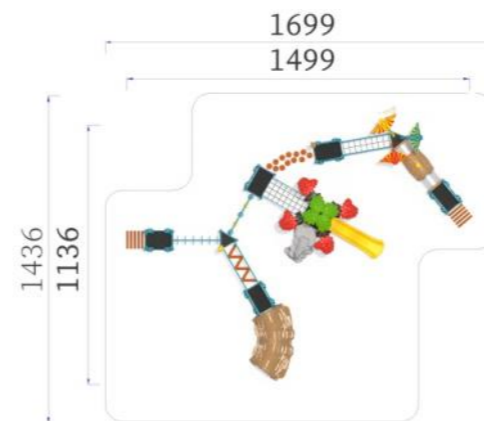


- FY032-02**
- 3+ Age Group 3-12
  - Capacity 30
  - Use Zone 1369×1290cm
  - Structure Size 969×890×540cm



# The Mine Sreies

Mining cave series of amusement facilities for children to create a mining adventure game scene, through walking, climbing, climbing and other sports functions, all-round exercise children's physical fitness

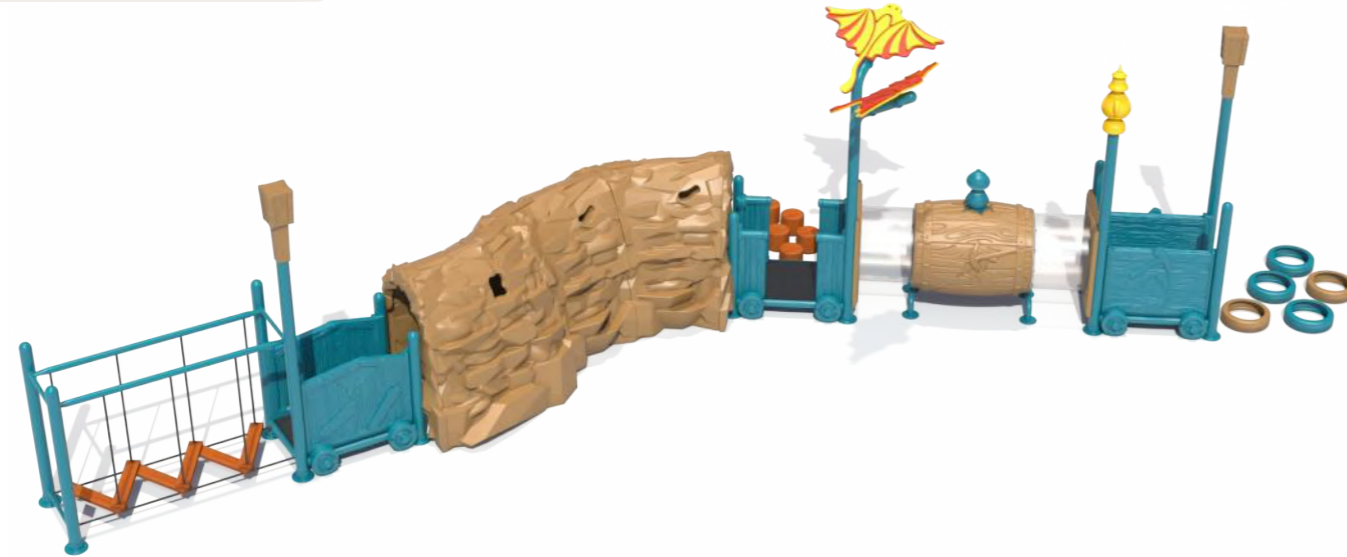
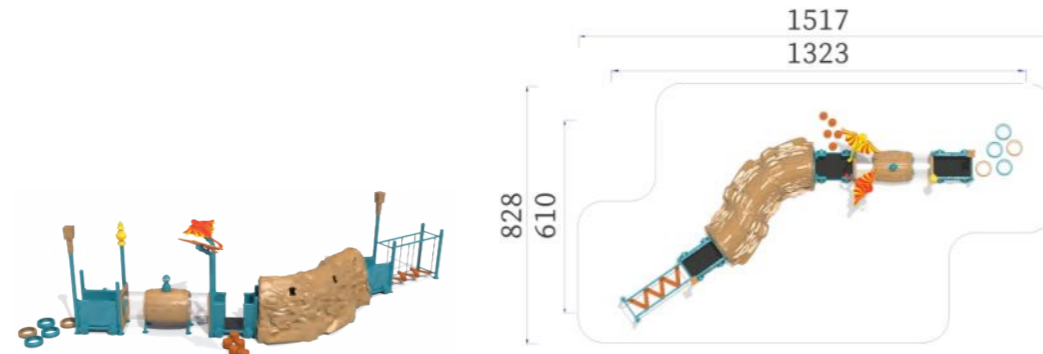


<b>FY034-01</b>	
Age Group	3-12
Capacity	35
Use Zone	1899×1536cm
Structure Size	1499×1136×400cm





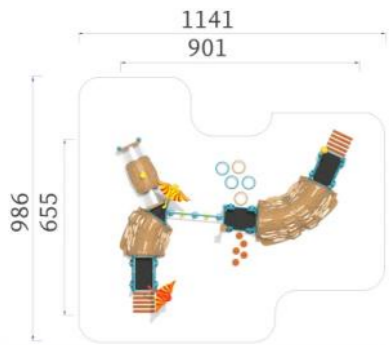
<b>FY035-01</b>	
3+ Age Group	3-12
Capacity	25
Use Zone	1423×1010cm
Structure Size	1323×610×385cm



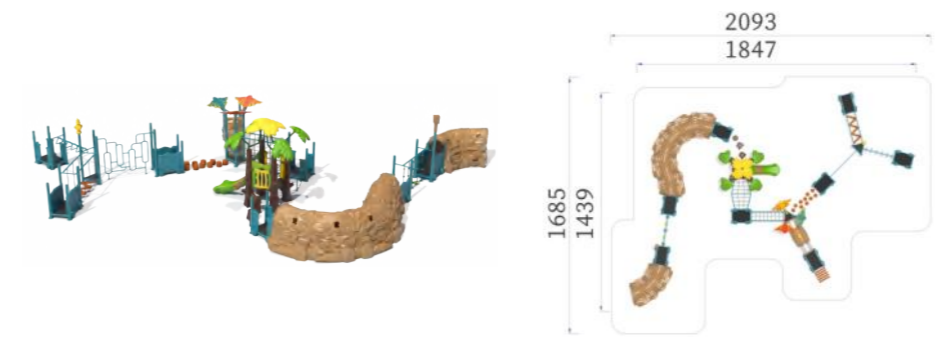
<b>FY036-01</b>	
3+ Age Group	3-12
Capacity	22
Use Zone	1550×1035cm
Structure Size	1150×635×400cm



**The Mine Series**



<b>FY035-02</b>	
3+ Age Group	3-12
Capacity	22
Use Zone	1301×1055cm
Structure Size	901×655×385cm



<b>FY036-02</b>	
3+ Age Group	3-12
Capacity	40
Use Zone	2247×1839cm
Structure Size	1847×1439×400cm

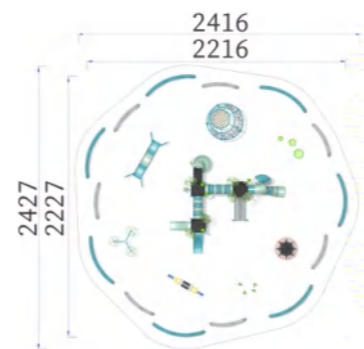
FY037-01

3+ Age Group 3-12

Capacity 80

Use Zone 2616×2627cm

Structure Size 2216×2227×500cm



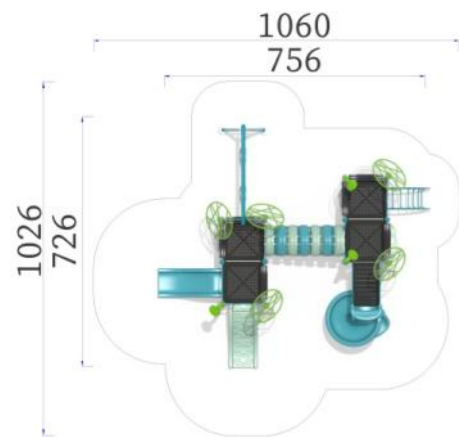
## Impression of Jiangnan Series

The land of the south of the Yangtze River, which is a place of great beauty and people, has a unique poetic style that has been inherited for a long time.

**LARGE SLIDE PRODUCTS**  
IMPRESSION OF JIANGNAN SERIES



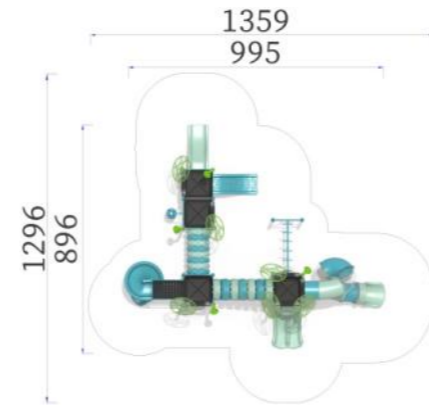
<b>FY039-01</b>	
3+ Age Group	3-12
Capacity	20
Use Zone	1452×927cm
Structure Size	1052×527×410cm



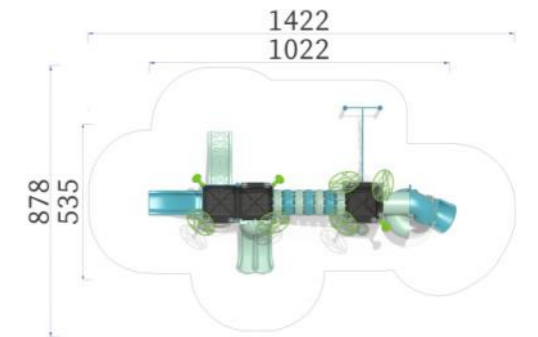
<b>FY039-02</b>	
3+ Age Group	3-12
Capacity	20
Use Zone	1160×1126cm
Structure Size	756×726×500cm



<b>FY040-01</b>	
3+ Age Group	3-12
Capacity	30
Use Zone	1395×1296cm
Structure Size	995×896×470cm



**Impression of Jiangnan Series**



<b>FY040-02</b>	
3+ Age Group	3-12
Capacity	20
Use Zone	1422×935cm
Structure Size	1022×535×500cm



Company Profile

Outdoor Play Products

Large Slide Products

Disability Combo Slide

Gym Training Products

Rope Climbing Products

Special Order

HDPE Products

Wood Products

Swings

Carousel

Seesaw

Spring Rider

Park Musical Instruments

Floor Mats

Dog Playground Park

Indoor Play Products

Park Fitness Devices

Cultural Tourism Projects

Toddler Indoor Furniture

Sand and water games

FY041-01

3+ Age Group 3-12

Capacity 45

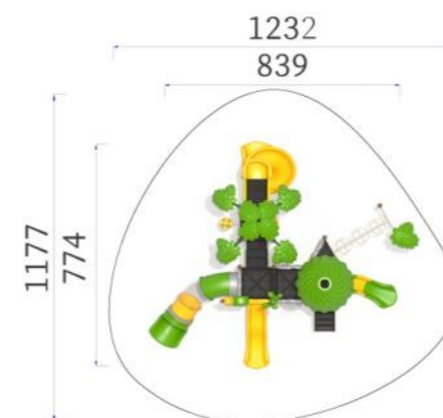
Use Zone 1239x1174cm

Structure Size 839x774x480cm



## Forest Adventure Series

Long peaks, lush trees, a glimpse of the verdant weng yu, and green-topped houses and playful monkeys as the main line The gorgeous prologue.



Company Profile

Outdoor Play Products

Large Slide Products

Disability Combo Slide

Gym Training Products

Rope Climbing Products

Special Order

HDPE Products

Wood Products

Swings

Carousel

Seesaw

Spring Rider

Park Musical Instruments

Floor Mats

Dog Playground Park

Indoor Play Products

Park Fitness Devices

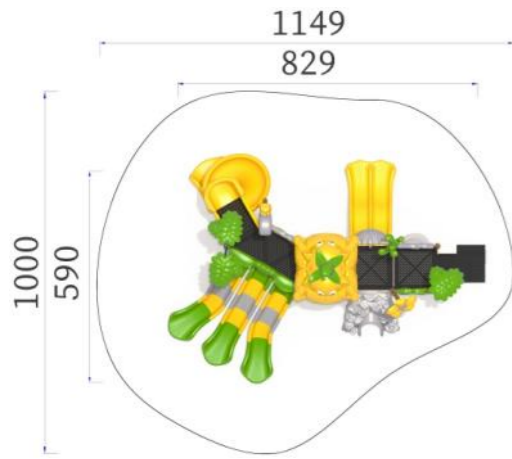
Cultural Tourism Projects

Toddler Indoor Furniture

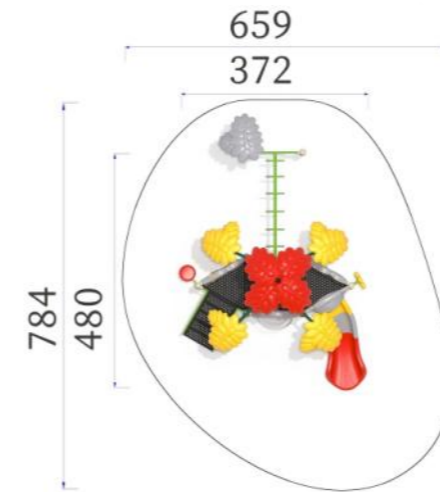
Sand and water games



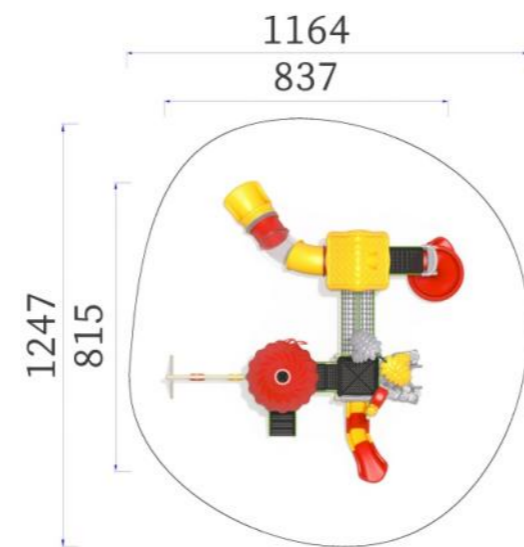
- FY043-01**
- 3+ Age Group 3-12
  - Capacity 20
  - Use Zone 1229×990cm
  - Structure Size 829×590×490cm



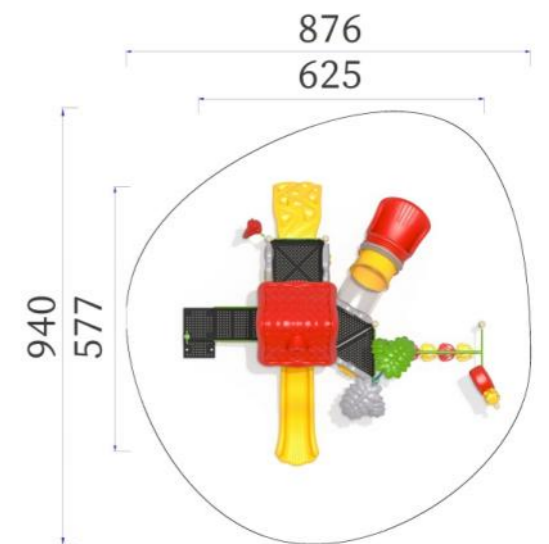
- FY044-01**
- 3+ Age Group 3-12
  - Capacity 12
  - Use Zone 772×880cm
  - Structure Size 372×480×390cm



- FY043-02**
- 3+ Age Group 3-12
  - Capacity 22
  - Use Zone 1237×1215cm
  - Structure Size 837×815×480cm

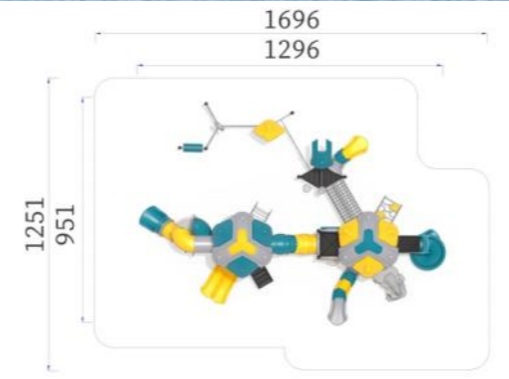


- FY044-02**
- 3+ Age Group 3-12
  - Capacity 15
  - Use Zone 1025×977cm
  - Structure Size 625×577×420cm





<b>FY046-01</b>	
3+ Age Group	3-12
Capacity	44
Use Zone	1696x1351cm
Structure Size	1296x951x520cm



## Sunshine Dream Series

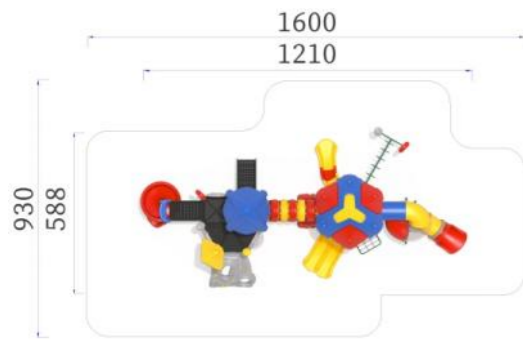
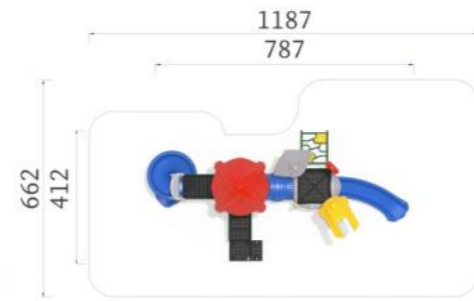
The rich warm color scheme, the novel and complete multi-functional facilities, and the items that vary in difficulty stimulate children's interest in the challenge.





FY047-01

- 3+ Age Group 3-12
- Capacity 16
- Use Zone 1187×811cm
- Structure Size 787×410×400cm



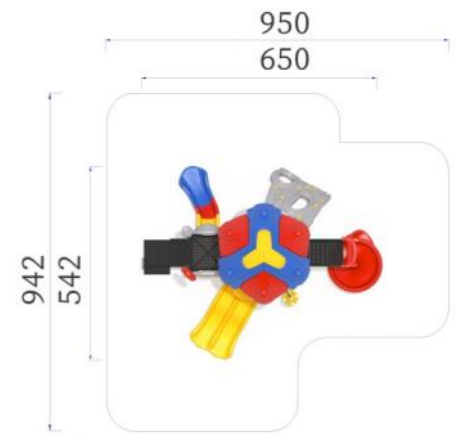
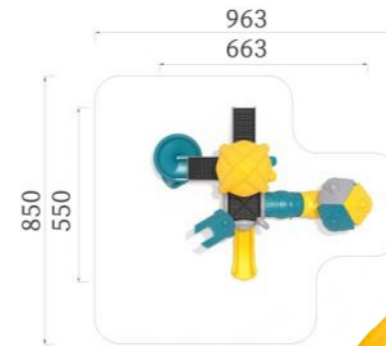
FY047-02

- 3+ Age Group 3-12
- Capacity 45
- Use Zone 1610×988cm
- Structure Size 1210×588×520cm



FY048-01

- 3+ Age Group 3-12
- Capacity 24
- Use Zone 1050×942cm
- Structure Size 650×542×440cm



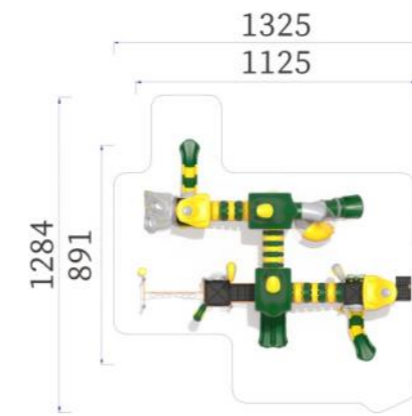
FY048-02

- 3+ Age Group 3-12
- Capacity 15
- Use Zone 1063×950cm
- Structure Size 663×550×400cm



# Dream Sail Series

The overall design is based on the main elements of the witch's hat and magic wand in the magic world, and the use of color is mainly warm. The use of colors is mainly warm, giving off a sunny and comfortable feeling.



FY050-01

- 3+ Age Group 3-12
- Capacity 28
- Use Zone 1525×1291cm
- Structure Size 1125×891×570cm



- Company Profile
- Outdoor Play Products
- Large Slide Products
- Disability Combo Slide
- Gym Training Products
- Rope Climbing Products
- Special Order
- HDPE Products
- Wood Products
- Swings
- Carousel
- Seesaw
- Spring Rider
- Park Musical Instruments
- Floor Mats
- Dog Playground Park
- Indoor Play Products
- Park Fitness Devices
- Cultural Tourism Projects
- Toddler Indoor Furniture
- Sand and water games



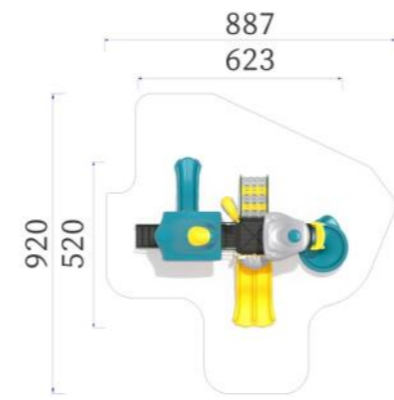
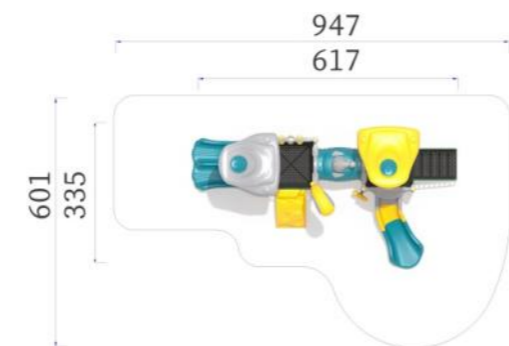
FY051-01

- 3+ Age Group 3-12
- Capacity 12
- Use Zone 1023×920cm
- Structure Size 623×520×435cm



FY051-02

- 3+ Age Group 3-12
- Capacity 8
- Use Zone 1017×635cm
- Structure Size 617×335×350cm



FY052-01

- 3+ Age Group 3-12
- Capacity 20
- Use Zone 1196×988cm
- Structure Size 796×588×425cm



FY052-02

- 3+ Age Group 3-12
- Capacity 24
- Use Zone 1369×1138cm
- Structure Size 969×739×490cm

